

COP Technical Data Vertical Order Picker

COP-L 07



COP Vertical Order Picker Efficiency at Multiple Levels

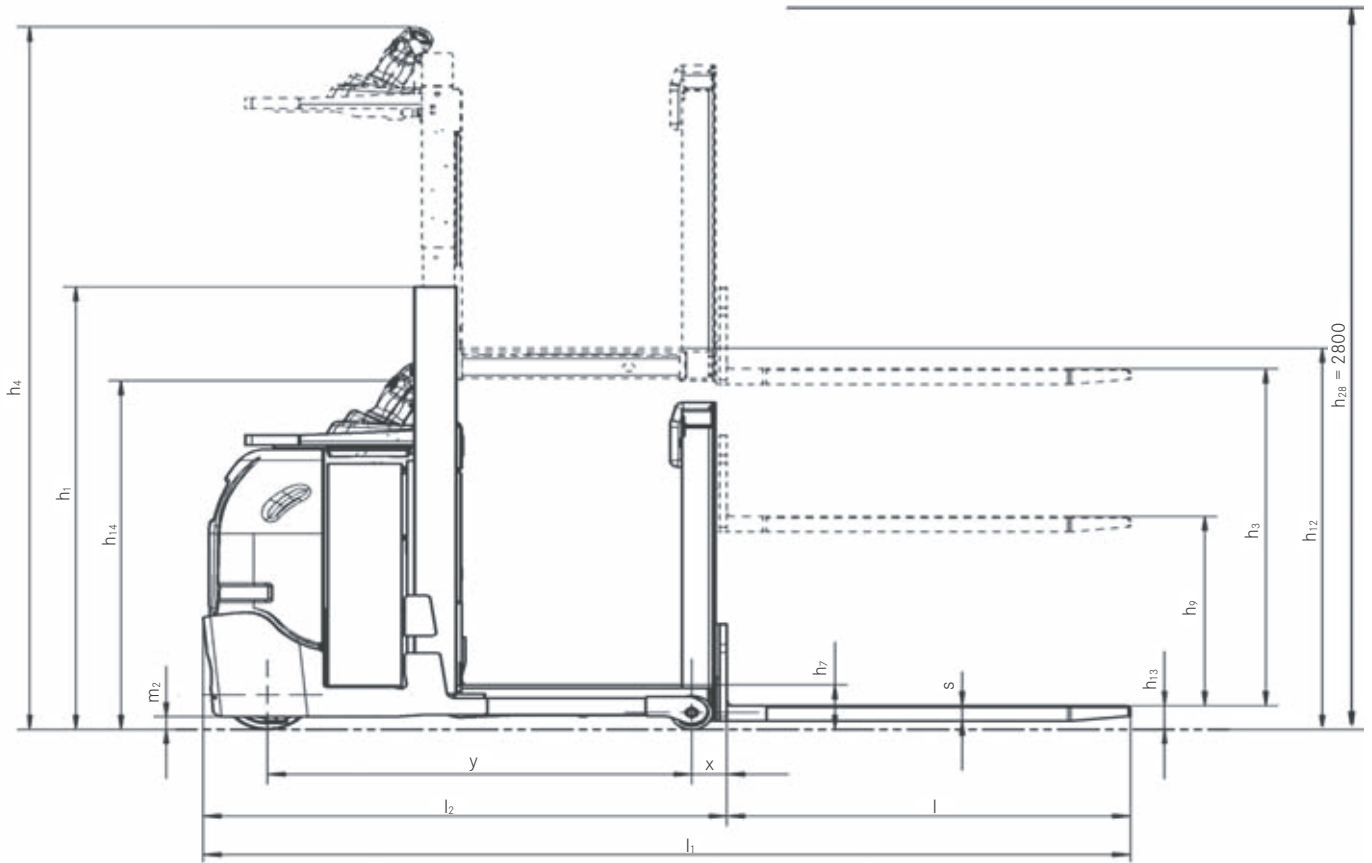
This specification sheet to VDI Guidelines 2198 and 3597 only provides technical values for the standard truck. Different tyres, other masts, additional equipment, etc. may produce different figures.



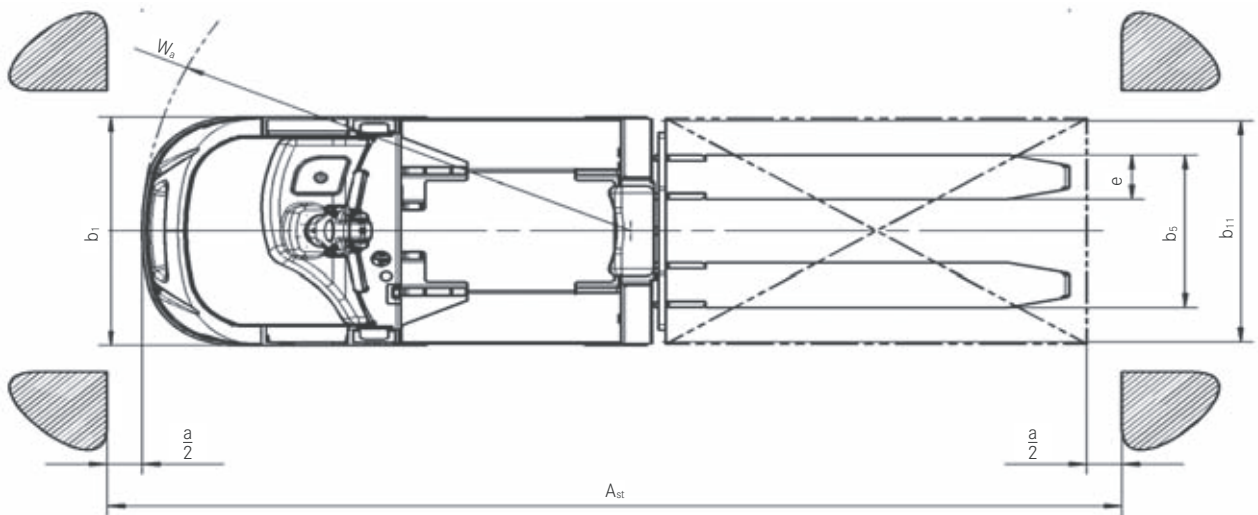
				STILL				
				COP-L 07 Without additional lifting equipment/ fixed forks	COP-L 07 With additional lifting equipment/ fixed forks	COP-L 07 With additional lifting equipment/ adjustable forks		
Features	1.1	Manufacturer						
	1.2	Manufacturer's model designation						
	1.3	Drive		Electric				
	1.4	Operation		Platform				
	1.5	Capacity/load	Q	kg	700			
	1.6	Load centre	c	mm	600			
	1.8	Load distance	x	mm	105	100	140	
	1.9	Wheel base	y	mm	1210			
	Weights	2.1	Service weight (incl. battery)		kg	1193	1297	1330
2.2		Axle load, laden	drive end/load end	kg	417/1476 ¹	409/1588 ¹	374/1656 ¹	
2.3		Axle load, unladen	drive end/load end	kg	821/372 ¹	813/484 ¹	804/526 ¹	
Tyres/chassis	3.1	Tyres		Polyurethane				
	3.2	Tyre size	drive end	mm	∅ 250 x 80			
	3.3	Tyre size	load end	mm	∅ 120 x 50			
	3.4	Support castors		mm	-			
	3.5	Number of wheels (x = driven)	drive end/load end		1x/2			
	3.6	Track width	drive end	b ₁₀	mm	-		
	3.7	Track width	load end	b ₁₁	mm	780		
Basic dimensions	4.2	Height of mast when retracted		h ₁	mm	1577		
	4.4	Lift		h ₃	mm	1040		
	4.5	Height when extended		h ₄	mm	2343		
	4.8	Seat height/standing height (platform)		h ₇	mm	160		
	4.9	Height of tiller in driving position		h ₁₄	mm	1245		
	4.11	Additional fork lifting equipment		h ₉	mm	674	712	
	4.14	Platform height, raised		h ₁₂	mm	1200		
	4.14.1	Reach height (h ₁₂ +1600)		h ₂₈	mm	2800		
	4.15	Fork height, lowered		h ₁₃	mm	85	45	
	4.19	Overall length without load		l ₁	mm	2648	2643	2683
	4.20	Length including fork backs		l ₂	mm	1498	1493	1533
	4.21	Overall width		b ₁	mm	810		
	4.22	Fork dimensions		s/e/l	mm	50/160/1150	55/160/1150	35/100/1150
	4.25	Overall fork width		b ₅	mm	540	300-680	
4.32	Floor clearance under mast, laden		m ₂		45			
4.34	Working aisle width with 800 x 1200 pallet lengthways (b ₁₂ x l ₆)		A _{st}	mm	2960	2955	2993	
4.34.1	Working aisle width with 1000 x 1200 pallet crossways (l ₆ x b ₁₂)		A _{st}	mm	2852	2848	2883	
4.35	Turning radius		W _a	mm	1395			
Performance data	5.1	Driving speed	with/without load	km/h	8,5/8,5			
	5.1.1	Driving speed backwards	with/without load		7/7			
	5.2	Lift speed	with/without load	m/s	0.18/0.26			
	5.3	Lowering speed	with/without load	m/s	0.24/0.24			
	5.7	Gradeability	with/without load	%	-			
	5.10	Service brake		Electromagnetic				
Electric motor	6.1	Drive motor, rating S2 = 60 min		kW	3			
	6.2	Lift motor, rating at S3 = 15%		kW	2.2			
	6.3	Battery according to DIN 43531/35/36; A, B, C, no			No			
	6.4	Battery voltage/nominal capacity K ₅		V/Ah	24//420-465			
	6.5	Battery weight ±5% (depending on manufacturer)		kg	390			
Other	8.1	Transmission control		AC control				
	8.4	Sound level at driver's ear		dB(A)	<70			

¹ Weight specification without operator

COP Vertical Order Picker
Technical Drawings



Side view



Top view

COP Vertical Order Picker
Detailed Photos



Picking at the first level possible thanks to extendible operator platform



Low access step and non-slip platform



Large storage compartment in the footwell



Outstanding flexibility thanks to optional adjustable forks



Safe two-handed operation of the additional lifting equipment with the COP-L 07



Precise and intuitive electrical steering unit



Foot pedal

COP Vertical Order Picker
Efficiency at Multiple Levels



COP Vertical Order Picker Efficiency at Multiple Levels

Optional lifting equipment for ergonomic order picking at the first level

The platform can be raised or lowered while driving via the foot pedal

Outstanding flexibility thanks to optional adjustable forks

Picking up to a reach height of 2800 mm



Fast, simple and convenient – three words that perfectly sum up order picking with the COP-L 07. The flexible and compact vertical order picker precisely negotiates the narrowest warehouse aisles. Because of the large load rollers it can also cope effortlessly with uneven floors. The highlight is the standard extendible operator platform: It enables the operator to access a reach height of 2.80 m and comfortably pick orders of up to 700 kg from multiple racking levels. Raising the platform and driving the truck at the same time is no problem, and you

can then glide back to the ground using the foot pedal. Once there, this high level of working comfort continues, with the speed reduction when cornering, the anti-lock braking system and intuitive operation all guaranteeing effortless transportation of goods. These qualities not only make the COP-L07 a sought-after warehouse organiser in the automotive and food industries but also in all distribution centres and warehouses that think beyond the floor level.

Extensive Equipment

Power

- High load capacity of up to 700 kg
- Powerful, reliable and low-maintenance 3 kW AC motor for high handling rate
- The fact that you can drive and raise or lower the platform at the same time using the foot pedal results in unbeaten material handling performance in any situation
- Large load rollers for negotiating bumps and uneven surfaces

Precision

- Precise driving and order picking at multiple levels: driver platform can be raised to a reach height of 2.80 m
- Work made as easy as possible for the operator and maximum picking frequency at the first racking level thanks to the picking shelf in front of the cockpit
- Precise and intuitive electrical steering unit to minimise operator fatigue
- Optional adjustable forks for maximum flexibility

Ergonomics

- Optional lifting equipment for ergonomic order picking at all levels
- The high lateral support of the adjusted backrest ensures that lateral forces are absorbed when accelerating and cornering
- Operator fatigue minimised: low access step of just 160 mm to make it easy to climb on and off

Compactness

- Compact truck dimensions for an efficient warehouse design with high storage density and pallet turnaround

Safety

- High level of safety when cornering: curve speed control depending on steering angle
- Electronic anti-lock braking system (eABS) for safe and even braking without losing contact with the ground
- Two-handed operation in combination with the foot contact pedal for maximum safety when driving

Environmental Responsibility

- Energy-efficient rotary current drive
- Minimal noise emissions due to extremely quiet drive and lifting motor

COP Vertical Order Picker Equipment Variants



		COP-L 07
Driver cab	Access authorisation via PIN entry	<input type="radio"/>
Fork dimensions	Fork length 800 mm (in combination with additional lifting equipment)	<input type="radio"/>
	Fork length 1000 mm (in combination with additional lifting equipment)	<input type="radio"/>
	Fork length 1150 mm (in combination with additional lifting equipment)	<input type="radio"/>
Battery system	Battery compartment for 360 Ah to 465 Ah batteries	<input checked="" type="radio"/>
	Battery replacement system for lateral battery change	<input type="radio"/>
Additional equipment	Additional paper holder	<input type="radio"/>
	Hour counters active when driving and lifting	<input checked="" type="radio"/>
	Material flow management system preparation	<input type="radio"/>
	Cold store variant down to -30 °C with exchangeable insert	<input type="radio"/>
	Additional lifting equipment for adjusting the working height	<input type="radio"/>
	Extendible stand-on platform with steering unit (reach height of 2800 mm)	<input checked="" type="radio"/>
Safety and performance	Warning signal when reversing	<input type="radio"/>

● Standard ○ Option — Not available



STILL Materials Handling Ltd
Aston Way
Leyland Preston
PR26 7UX
Tel.: +44 (0)845 603 6827

STILL Materials Handling Ltd
Jacks Way
Hill Barton
Business Park
Clyst St. Mary
Exeter
EX5 1FG
Tel.: +44 (0)345 603 6827
info@still.co.uk

For further information please visit:

www.still.co.uk

STILL is certified in the following areas: Quality management, occupational safety, environmental protection and energy management.

