

Trolleys Technical Data

Tugger Train Trailers

Pallet trolley

Shelf trolley

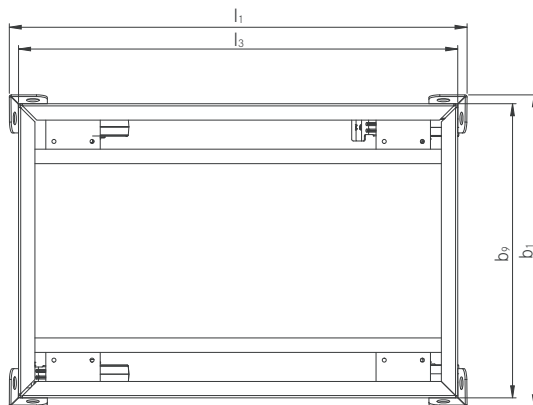


Pallet Trolleys

Easy to move. Made to handle heavy loads.

This specification sheet, which conforms to VDI Guideline 2198, provides the technical values for the standard equipment only. Different tyres, other masts, additional equipment, etc. may produce different values.

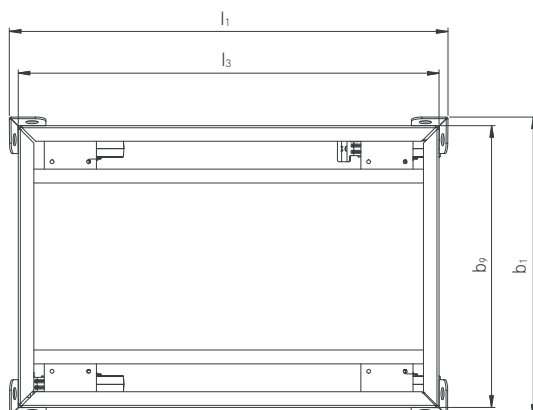
Features	1.1	Manufacturer			STILL	STILL	STILL	STILL	STILL	STILL		
	1.2	Manufacturer's type designation				Trolley 1200 x 800 x 280 mm	Trolley 1200 x 800 x 450 mm	Trolley 800 x 600 x 280 mm	Trolley 800 x 600 x 450 mm	Trolley 1200 x 1000 x 280 mm	Trolley 1200 x 1000 x 450 mm	
1.2.1	Load dimensions (length x width)			mm	1200 x 800	1200 x 800	800 x 600	800 x 600	1200 x 1000	1200 x 1000		
1.5	Capacity/load		Q	kg	1000	1000	1000	1000	1000	1000		
Weight	2.1	Service weight			kg	36	53	29	47	38	62	
Wheels	3.1	Tyres			Polyamide	Polyamide	Polyamide	Polyamide	Polyamide	Polyamide		
	3.2	Tyre size front/rear			mm	∅ 200/200	∅ 200/200	∅ 150/150	∅ 150/150	∅ 200/200	∅ 200/200	
	3.5	Number of wheels front/rear				2/2	2/2	2/2	2/2	2/2	2/2	
Basic dimensions	4.2.1	Overall height			h_{15}	mm	350	520	350	520	350	520
	4.13	Trolley height			h_1	mm	280	450	280	450	280	450
	4.16	Loading area length			l_3	mm	1210	1210	820	820	1210	1210
	4.18	Loading area width			b_9	mm	810	810	630	630	1010	1010
	4.19	Overall length			l_1	mm	1260	1260	870	870	1260	1260
	4.21	Overall width			b_1	mm	860	860	680	680	1060	1060
	4.32	Height of lower edge of trolley			h_5	mm	235	235	235	235	235	235



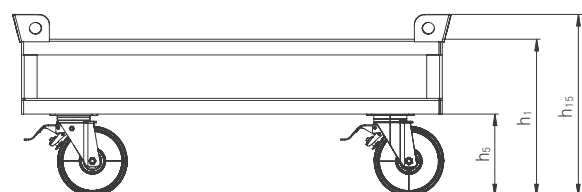
Top view, trolley, 1200 x 800 x 280 mm



Side view, trolley, 1200 x 800 x 280 mm



Top view, trolley, 1200 x 800 x 450 mm



Side view, trolley, 1200 x 800 x 450 mm

Pallet Trolleys

Easy to move. Made to handle heavy loads.

Ease of operation, even with heavy loads, thanks to lower rolling resistance

Various applications possible thanks to the wide range of trolley types for transporting different carriers

Fitted with two brakes as standard for safety reasons

Pallet trolleys with a low service weight for easier handling come in a variety of different models

Maximum flexibility when used in combination with the STILL LiftRunner tugger train system



Steel pallet trolleys

STILL trolleys are compatible with STILL LiftRunner and are available in different sizes depending on requirements. The standard height for pallet lifting is 280 mm. If goods need to be removed from low-level carriers, an ergonomic loading height of 450 mm is also available. For precise positioning of the carrier, trolleys can be fitted with removable plug-in handles and lockable wheels. The desired position can also be secured by means of two brakes arranged diagonally. For transportation in the LiftRunner tugger train system, trolleys are slid

into the chassis, automatically secured and raised up. This not only reduces running noise, but also roller wear-and-tear. By lifting the trolleys up during the journey, harder polyamide rollers can be used. This minimises rolling resistance, enabling loads to be moved more easily. Trolleys for carrying predominantly pallets or grid boxes are available in a variety of sizes and designs and can be tailor-made to requirements.



Pallet trolley for Euro pallets with plug-in for handling weights up to 1000 kg



Pallet trolley 1200 x 800 x 450 mm for an ergonomic loading height



Pallet trolley for half pallets with plug-in for handling weights up to 200 kg



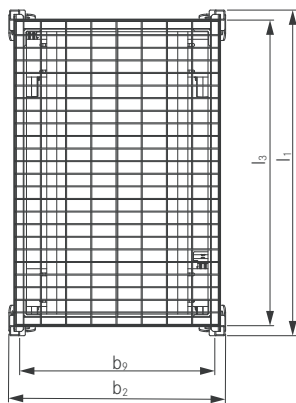
Pallet trolley for Euro pallet dimensions (1200 x 800 mm)

Steel Rack Trolleys

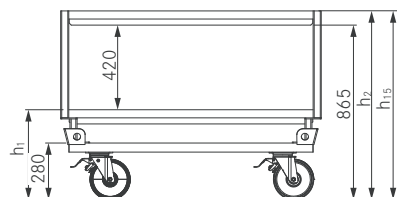
Easy to move. Made to handle heavy loads.

This specification sheet, which conforms to VDI Guideline 2198, provides the technical values for the standard equipment only. Different tyres, other masts, additional equipment, etc. may produce different values.

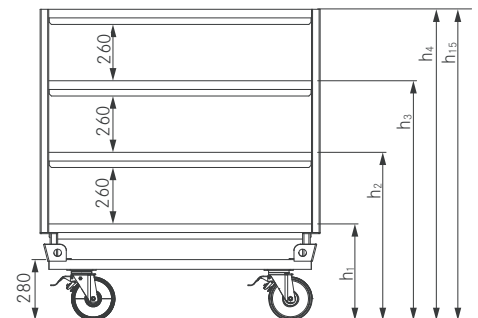
Features	1.1		Manufacturer		STILL	STILL	STILL	
	1.2		Manufacturer's type designation		Mesh shelf trolley 1200 x 800 2 levels	Mesh shelf trolley 1200 x 800 3 levels	Mesh shelf trolley 1200 x 800 4 levels	
	1.2.1	Load dimensions (length x width)		mm	1200 x 800	1200 x 800	1200 x 800	
	1.5	Capacity/load		Q	kg	400	600	800
	1.5.1	Capacity, level 1/2/3/4			kg	200/200/- / -	200/200/200 / -	200/200/200/200
Weight	2.1	Service weight		kg	77	92	111	
Wheels	3.1	Tyres				Polyamide	Polyamide	Polyamide
	3.2	Tyre size		front/rear	mm	∅ 200/200	∅ 200/200	∅ 200/200
	3.5	Number of wheels		front/rear		2/2	2/2	2/2
Basic dimensions	4.2.1	Overall height		h_{15}	mm	935	1105	1435
	4.13.0	Loading height of 1 st level		h_1	mm	445	445	445
	4.13.1	Loading height of 2 nd level		h_2	mm	935	775	775
	4.13.2	Loading height of 3 rd level		h_3	mm	-	1105	1105
	4.13.3	Loading height of 4 th level		h_4	mm	-	-	1435
	4.16	Loading area length		l_3	mm	1212	1212	1212
	4.18	Loading area width		b_9	mm	815	815	815
	4.19	Overall length		l_1	mm	1292	1292	1292
4.21	Overall width		b_1	mm	860	860	860	



Top view, steel rack trolley



Side view, steel rack trolley, 2 levels



Side view, steel rack trolley, 4 levels

Rack trolleys made of steel or aluminium

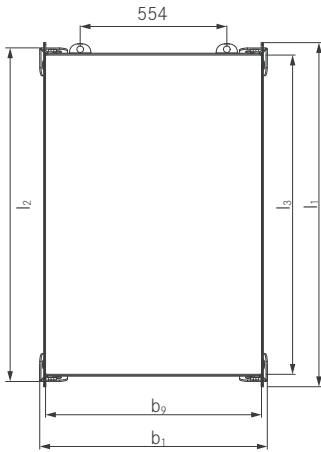
STILL has developed special rack trolleys for transporting a large number of small load carriers (SLC) at the same time. There are two options available to choose from and these meet different requirements. The powder-coated STILL rack trolley with fixed vertical partitioning is especially suited to heavy loads. Its steel mesh shelves meet the highest standards in terms of stability and also prevent the build-up of dirt. The STILL aluminium rack trolleys, on the other hand, are easier to manoeuvre thanks to their low weight. Their individual levels can be adjusted to various heights. Both models roll on ultra-

durable polyamide rollers as standard, but there is the option of these being replaced with ball bearing rollers that roll even more smoothly if required.

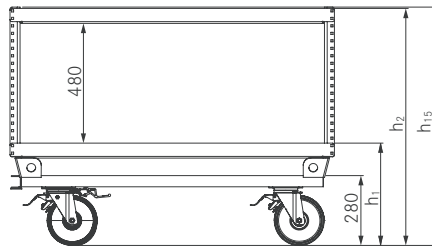
When used in combination with the STILL LiftRunner tugger train system, the trolleys are slid into or onto the chassis, where they are then automatically secured and raised up. The STILL LiftRunner decreases the wear on the rollers and keeps the noise level to a minimum.

Aluminium Rack Trolleys
 Easy to move. Made to handle heavy loads.

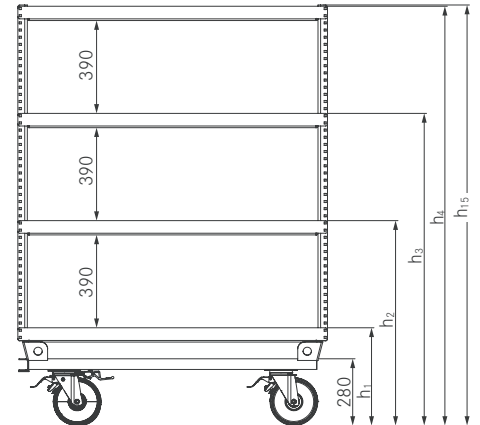
				STILL	STILL	STILL		
Features	1.1	Manufacturer		Standard trolley 1200 x 800 with aluminium shelves 2 levels	Standard trolley 1200 x 800 with aluminium shelves 3 levels	Standard trolley 1200 x 800 with aluminium shelves 4 levels		
	1.2	Manufacturer's type designation						
	1.2.1	Load dimensions (length x width)		mm	1200 x 800	1200 x 800		
	1.5	Capacity/load		Q	kg	400	600	800
	1.5.1	Capacity, level 1/2/3/4			kg	200/200/- / -	200/200/200/ -	200/200/200/200
Weight	2.1	Service weight		kg	62	74	85	
Wheels	3.1	Tyres			Polyamide	Polyamide	Polyamide	
	3.2	Tyre size		front/rear	mm	∅ 200/200	∅ 200/200	∅ 200/200
	3.5	Number of wheels		front/rear		2/2	2/2	2/2
Basic dimensions	4.2.1	Overall height		h_{15}	mm	955	1315	1760
	4.13.0	Loading height of 1 st level		h_1	mm	410	410	410
	4.13.1	Loading height of 2 nd level		h_2	mm	950	860	860
	4.13.2	Loading height of 3 rd level		h_3	mm	-	1310	1310
	4.13.3	Loading height of 4 th level		h_4	mm	-	-	1760
	4.16	Loading area length		l_3	mm	1214	1214	1214
	4.18	Loading area width		b_9	mm	824	824	824
	4.19	Overall length of trolley		l_2	mm	1260	1260	1260
	4.19.1	Overall length of shelves		l_1	mm	1300	1300	1300
4.21	Overall width		b_1	mm	860	860	860	



Top view, aluminium rack trolley



Side view, aluminium rack trolley, 2 levels



Side view, aluminium rack trolley, 4 levels



Aluminium rack trolley



All levels easily accessible from any side

Trolleys
Detailed Photos



Pallet trolley with adapter for industrial pallets (1000 x 1200 mm)



Top ergonomics for the operator thanks to plug-in push handles



Rotating brake pedal for securing the trolley



Fixed brake pedal to make it easy to secure the trolley



Rack trolley with anti-slip mat to make it easy to secure loads



Shelving made from steel mesh to prevent build-up of dirt



Rack trolley with 2 levels



Rack trolley with 3 levels

Trolleys

The 'Simply Efficient' factors: Performance attributes as a measure of economic efficiency



Simply easy

- Easy manoeuvrability thanks to four rollers that swivel 360°
- Ease of operation, even with heavy loads, thanks to lower rolling resistance
- Optimal access when loading and unloading from all sides



Simply powerful

- High load capacity with loads of up to 1,000 kg
- Back-friendly handling with little effort thanks to plug-in handle option



Simply safe

- Automatic securing of load thanks to insertion corners or continuous edges on shelves
- Safe to use thanks to two diagonally arranged brake rollers



Simply flexible

- Production can also be supplied with material without the need for any forklift trucks or pallet trucks at the destination
- Faster work processes when loading and unloading from all sides
- Different trolley sizes and accessories can be combined precisely as required
- STILL trolleys are fully compatible with the STILL LiftRunner



Trolleys

Equipment Variants

		Steel pallet trolley 1200 x 800 mm	Steel pallet trolley 1200 x 1000 mm	Steel pallet trolley 800 x 600 mm	Rack trolley
Bearings	Rollers with plain bearings	●	●	—	●
	Rollers with ball bearings	○	○	●	○
Tyres	4 polyamide wheels, one of which is electrically conductive	●	●	●	●
	3 polyurethane wheels and one electrically conductive polyamide wheel	○	○	○	○
Brake	Rotating brake pedal, mounted on two rollers diagonally opposite each other	●	●	—	●
	Fixed brake pedal, mounted on two rollers diagonally opposite each other	○	○	●	○
Miscellaneous	Handles can be plugged in up to a maximum weight of 1,000 kg	○	○	○	—
	Handles without plug-in lugs up to a maximum weight of 200 kg	○	○	○	—
	Plug-in lugs for handles	○	○	○	—
	Directional lock of one roller at every 90° position	○	○	○	○
	Directional lock of two rollers at every 90° position	○	○	○	○
	Anti-slip mat option for improved securing of loads	—	—	—	○

● Standard ○ Option — Not available

STILL GmbH
Berzeliusstraße 10
D-22113 Hamburg
Tel.: +49 (0)40/73 39-20 00
Fax: +49 (0)40/73 39-20 01
info@still.de

For further information please visit:
www.still.eu

STILL is certified in the following areas: Quality management, occupational safety, environmental protection and energy management.

